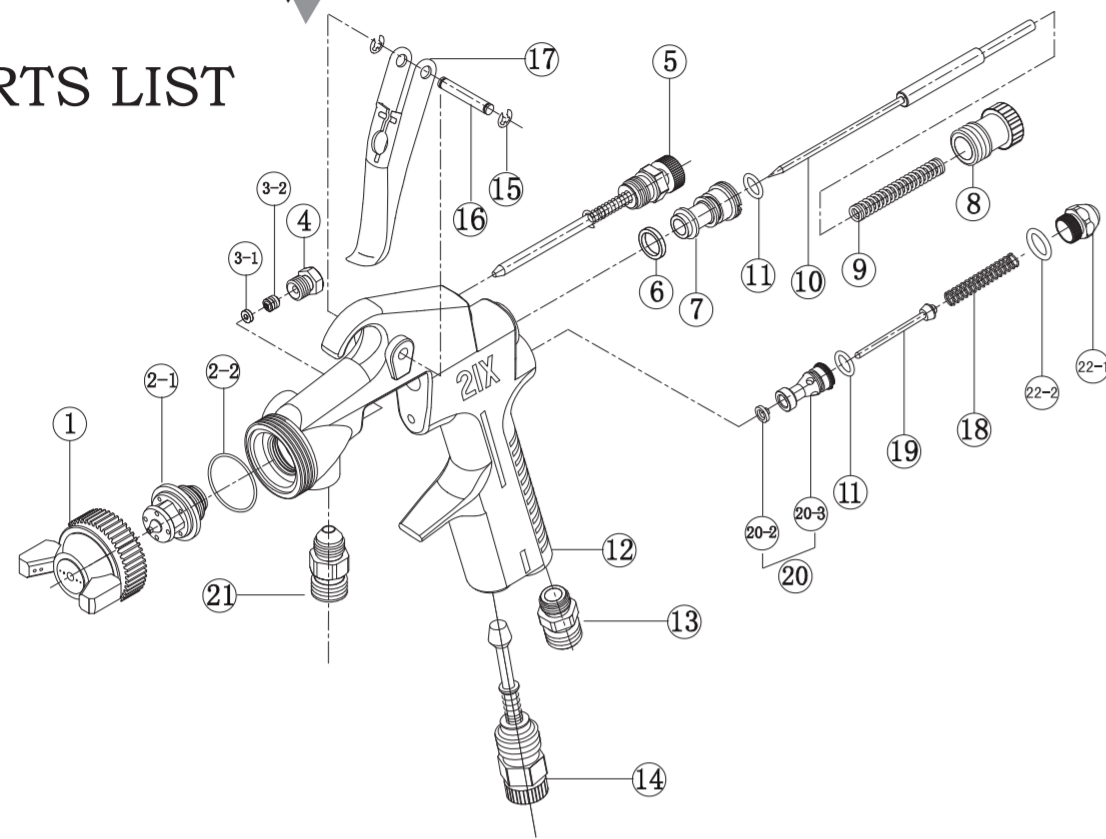


PARTS LIST



No.	Description	Q'ty
1	Air cap set	1
2-1	Fluid nozzle	1
2-2	Fluid nozzle packing	1
3-1	Fluid needle packing set-1	1
3-2	Fluid needle packing set-2	1
4	Fluid needle packing screw	1
5	Pattern adjusting set	1
6	Gasket	1
7	Fluid needle guide	1
8	Fluid adjusting knob	1
9	Fluid needle spring	1
10	Fluid needle set	1
11	O-ring	1
12	Gun body	1
13	Air connector	1
14	Air adjusting set	1
15	Locking ring	2
16	Trigger stud	1
17	Trigger	1
18	Air valve spring	1
19	Air valve	1
20	Air valve seat set	1
20-2	Air valve seat packing	1
20-3	Air valve seat	1
21	Fluid connector	1
22-1	Air valve spring knob	1
22-2	O-ring	1

SERVICING

- Clean air cap, fluid nozzle and fluid needle with brush after each operation.
- Flush the gun material passage with a compatible solvent.
- Do not submerge complete spray gun in solvents.
- Fluid needle packing screw should not be tightened completely, or the fluid needle set will be sluggish.
- Turning the fluid adjusting knob too far to the left will weaken the fluid needle spring, this will make the fluid nozzle to leak.
- The material should be filtered through 60-90 mesh filter before use.

PERSONAL PROTECTIVE EQUIPMENT

The use of breathing mask is recommended at all times when spraying. The noise level may exceed 85 dB (A) when the spray gun is being used, a sound absorber protection is also recommended. Always wear goggles and gloves when spraying or cleaning. No vibrations are transmitted to the operator when using the spray gun.

SAFETY

- Never allow untrained or unauthorized persons to operate this spray gun.
- Never exceed the recommended air pressure.
- Never use matches, smoke or operate a spray gun in the vicinity of a naked flame.
- Never aim spray gun at people.
- Never spray food or chemicals through spray gun.
- Do not carry or pull the gun by the hose, this could cause failure of the hose/gun connection result in danger to the operator or other workers.
- Use only original spare parts.
- Do not use the following solvents: 1,1,1-Trichloroethane and Methylene Chloride. These solvents can chemically react with aluminium used in spray guns and fluid cups possibly causing an explosion. Do not use these solvents for equipment cleaning or flushing. Spray gun should never be stored in acid laden cleaners. If in doubt consult material supplier.

Prior to operation read the operating instructions carefully.

OPERATION

The SPRAY GUN has been designed as a HAND HELD, AIR OPERATED TOOL, and in the interests of safety must only be used for the purpose for which it has been designed. The tool should on no account be used for any other purpose for whatever reason, this could result in danger to the operator and those within the immediate working area. The Spray Gun should be connected to a clean air supply using the recommended fittings and hose size as specified in the diagram. Whenever possible there should be an air filter & regulator in the system as diagram. The recommended pressure at the tool should measure 60 psi while running free. Check fittings and hoses regularly for signs of fraying, or accidental damage. Replace any worn items before continuing to operate the Spray Gun. Always connect the cup and the air hose tightly to the Spray Gun before use. Ensure the material and air supply are disconnected before effecting any work on the Spray Gun.

ADJUSTMENT

To obtain the required spraying pattern, volume of fluid and degree of atomisation, use the Pattern Adjusting Knob, Air Adjusting Knob and the Fluid Adjusting Knob.

- To Adjust the Pattern—Turn the Pattern Adjusting Set to the Right to narrow the spray pattern and to the left to widen the spray pattern.
- To Adjust the Fluid Output—Turn the Fluid Adjusting Knob to the Right to reduce the fluid output and to the Left to increase the fluid output. Turning the Fluid Adjusting set fully to the Right will stop the fluid completely, the spray gun will then only emit air.
- To Adjust the Air Volume—Turn the Air Adjusting Set to the Right to reduce the air volume and to the Left to increase the air volume.
- The recommended air pressure is 3.0~3.5 bar (43~50 psi). Recommended spray distance to object is 15~20cm (6~8 inches).

TROUBLE -SHOOTING

TROUBLE	CAUSE	CORRECTION
 Fluttering	a. Insufficient material in cup. b. Dry or worn fluid needle packing set or loose fluid needle packing screw. c. Loose or damaged fluid nozzle.	a. Refill material. b. Lubricate or replace fluid needle packing set or tighten fluid needle packing screw. c. Tighten or replace fluid nozzle.
 Crescent	Material build-up on air cap.	Clean air cap with proper objects. Clogged air holes must not be cleaned with metal objects.
 Heavy top or bottom	a. Material build-up on air cap. b. Dirty or damaged fluid nozzle.	a. Clean or replace air cap. b. Clean or replace fluid nozzle.
 Split	a. Material too thin or not enough. b. Atomizing air pressure too high.	a. Increase material viscosity. b. Reduce air pressure.
 Heavy center	a. Material too thick or too much. b. Atomizing air pressure too low.	a. Reduce material viscosity. b. Increase air pressure.
Gun drips from fluid nozzle	a. Obstructions between fluid nozzle and fluid needle. b. Worn fluid nozzle or needle.	a. Clean fluid needle and fluid nozzle in thinner. b. Replace parts.
Gun leaks from needle packing screw	a. Loose fluid needle packing screw. b. Dry or worn fluid needle packing.	a. Tighten fluid needle packing screw, check fluid needle for free movement. b. Lubricate or replace needle packing.

